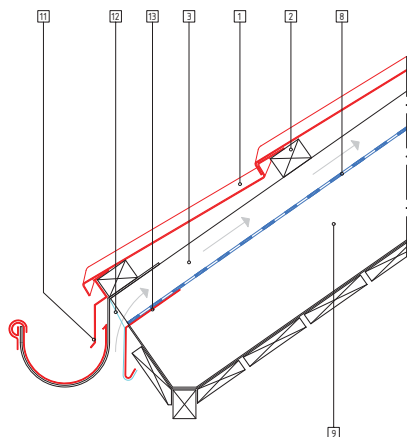
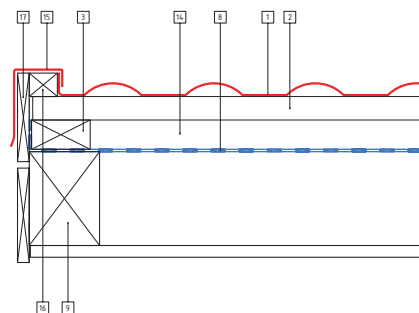


## EAVES FLASHING



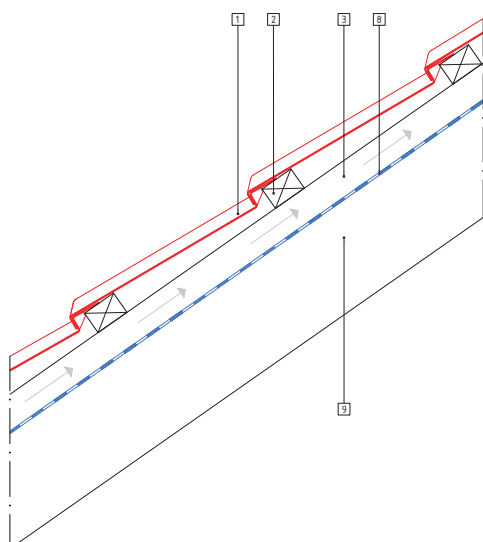
- 1 Tile
- 2 Tile Batten
- 3 Ventilation Space Battent
- 8 Underlay
- 11 Eaves Flashing
- 12 Mesh
- 13 Eaves Guard Flashing

## BOX BARGE



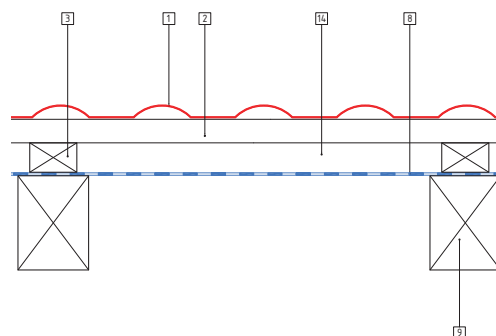
- 1 Tile
- 2 Tile Batten
- 3 Ventilation Space Battent
- 8 Underlay
- 9 Rafter
- 14 Ventilation Space
- 15 Box Barge
- 16 Gable Batten
- 17 Barge Board

## BASIC PRINCIPLE 1



- 1 Tile
- 2 Tile Batten
- 3 Ventilation Space Battent
- 8 Underlay
- 9 Rafter

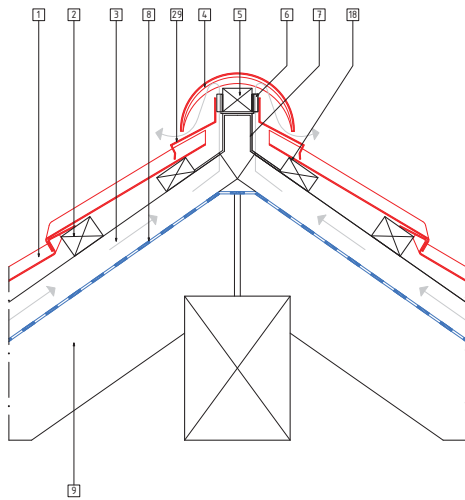
## BASIC PRINCIPLE 2



- 1 Tile
- 2 Tile Batten
- 3 Ventilation Space Battent
- 8 Underlay
- 9 Rafter
- 14 Ventilation Space

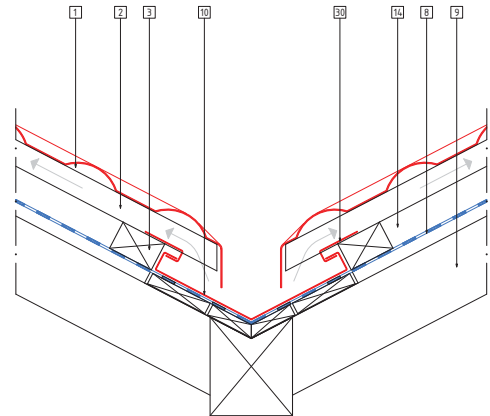
# INTERSECTION DRAWINGS MILANO TILE

## RIDGE 1



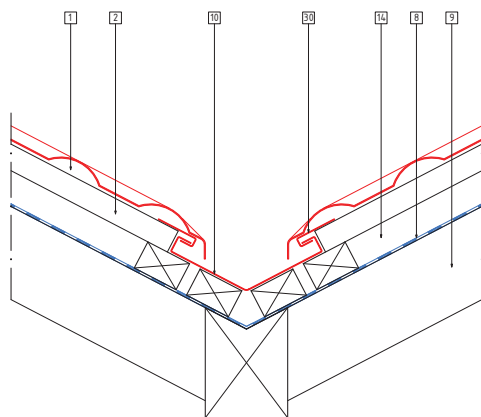
- |                                   |                                      |
|-----------------------------------|--------------------------------------|
| <b>1</b> Tile                     | <b>8</b> Underlay                    |
| <b>2</b> Tile Batten              | <b>9</b> Rafter                      |
| <b>3</b> Ventilation Space Batten | <b>18</b> Thinner Support Batten     |
| <b>4</b> Batten                   | <b>29</b> Milano Ridge Wall Flashing |
| <b>5</b> Ridge Batten             |                                      |
| <b>6</b> Spacer                   |                                      |
| <b>7</b> Ridge Bracket            |                                      |

## VALLEY



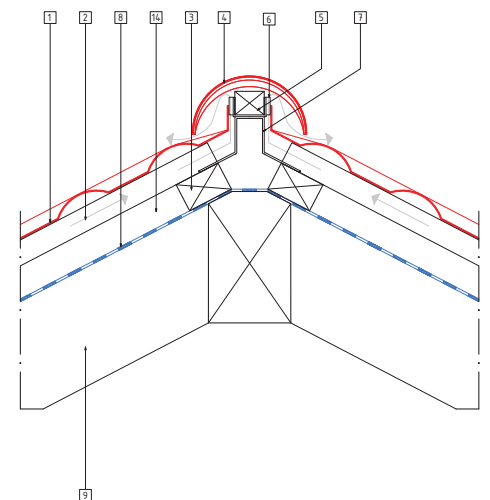
- |                                   |                             |
|-----------------------------------|-----------------------------|
| <b>1</b> Tile                     | <b>8</b> Underlay           |
| <b>2</b> Tile Batten              | <b>9</b> Rafter             |
| <b>3</b> Ventilation Space Batten | <b>10</b> Valley            |
| <b>8</b> Underlay                 | <b>14</b> Ventilation Space |
| <b>9</b> Rafter                   | <b>30</b> Clip              |

## VALLEY 1



- |                                   |                             |
|-----------------------------------|-----------------------------|
| <b>1</b> Tile                     | <b>8</b> Underlay           |
| <b>2</b> Tile Batten              | <b>9</b> Rafter             |
| <b>3</b> Ventilation Space Batten | <b>10</b> Valley            |
| <b>8</b> Underlay                 | <b>14</b> Ventilation Space |
| <b>9</b> Rafter                   | <b>30</b> Clip              |

## HIP

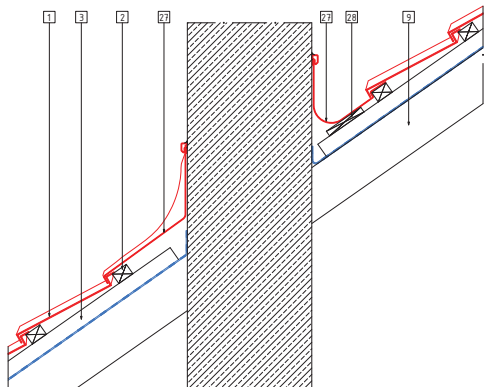


- |                                   |                             |
|-----------------------------------|-----------------------------|
| <b>1</b> Tile                     | <b>7</b> Hip Bracket        |
| <b>2</b> Tile Batten              | <b>8</b> Underlay           |
| <b>3</b> Ventilation Space Batten | <b>9</b> Rafter             |
| <b>4</b> Barrel                   | <b>14</b> Ventilation Space |
| <b>5</b> Hip Batten               |                             |
| <b>6</b> Spacer                   |                             |

All the intersection drawings are available in full A4 format upon request.

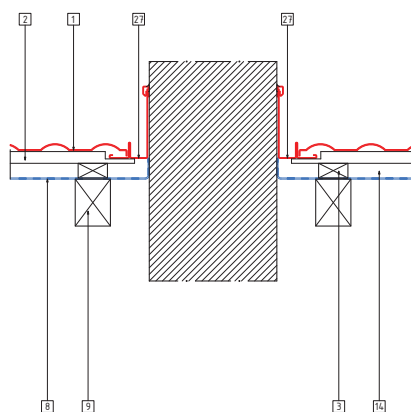
# INTERSECTION DRAWINGS MILANO TILE

## CHIMNEY FLASHING



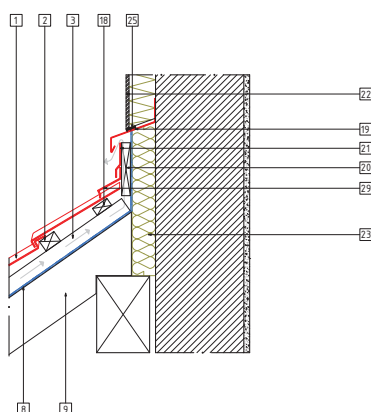
- 1 Tile
- 2 Tile Batten
- 3 Ventilation Space Batten
- 9 Rafter
- 27 Chimney Flashing
- 28 Board

## CHIMNEY FLASHING



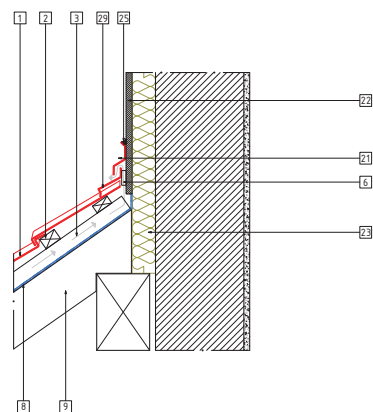
- 1 Tile
- 2 Tile Batten
- 3 Ventilation Space Batten
- 8 Underlay
- 9 Rafter
- 27 Chimney Flashing

## TOP WALL FLASHING



- 1 Tile
- 2 Tile Batten
- 3 Ventilation Space Batten
- 8 Underlay
- 9 Rafter
- 18 Support Batten
- 19 Top Wall Starter Flashing
- 20 Top Wall Spacer
- 21 Side Flashing
- 22 Render
- 23 Warmth Insulation
- 25 Sealant
- 29 Milano Ridge Wall Flashing

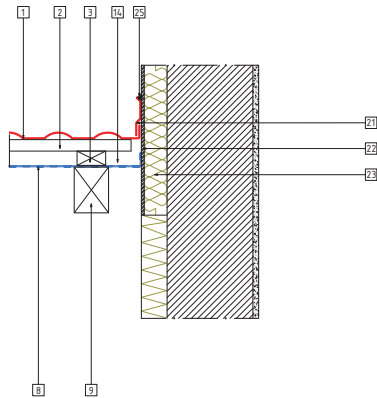
## TOP WALL FLASHING



- 1 Tile
- 2 Tile Batten
- 3 Ventilation Space Batten
- 6 Spacer
- 8 Underlay
- 9 Rafter
- 18 Support Batten
- 19 Top Wall Starter Flashing
- 20 Top Wall Spacer
- 21 Side Flashing
- 22 Render
- 23 Warmth Insulation
- 25 Sealant
- 29 Milano Ridge Wall Flashing

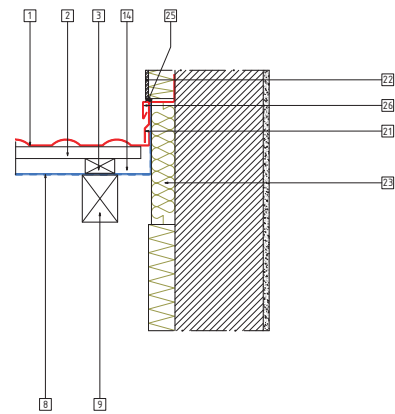
# INTERSECTION DRAWINGS MILANO TILE

## WALL FLASHING



- 1 Tile
- 2 Tile Batten
- 3 Ventilation Space Batten
- 8 Underlay
- 9 Rafter
- 14 Ventilation Space
- 21 Side Flashing
- 22 Render
- 23 Warmth Insulation
- 25 Sealant

## WALL FLASHING



- 1 Tile
- 2 Tile Batten
- 3 Ventilation Space Batten
- 8 Underlay
- 9 Rafter
- 14 Ventilation Space
- 21 Side Flashing
- 22 Render
- 23 Warmth Insulation
- 25 Sealant
- 26 Side Wall Starter Flashing